

HEAD OF WALL HORIZONTAL SLOTTED TRACK (OPTIONAL)

MTL TO MTL CONNECTION STANDARD

OPTIONAL - PER ENGINEER OF RECORD
HORIZONTAL SLOTTED SLIDING CONNECTION - CBC 2001 Vol. 2



Trade-Friendly Products.

File Code - Date: 10/15/04

1-888-4SLPTRK [1-888-475-7875]

www.sliptrack.com



Project: _____ Architect: _____
Spec. Ref.: Section [09110] [09111] [05400] Date: _____

Sheet Title:

MTL to MTL Connection Standard
Head of Wall Horizontal Slotted Track -
Optional

Product: SLP-TRK®

Manufacturer: SlipTrack Systems

Description:

SLP-TRK Standard Detail
SLP-TRK® Brand Slotted Top Track.

Deflection - 1 inch

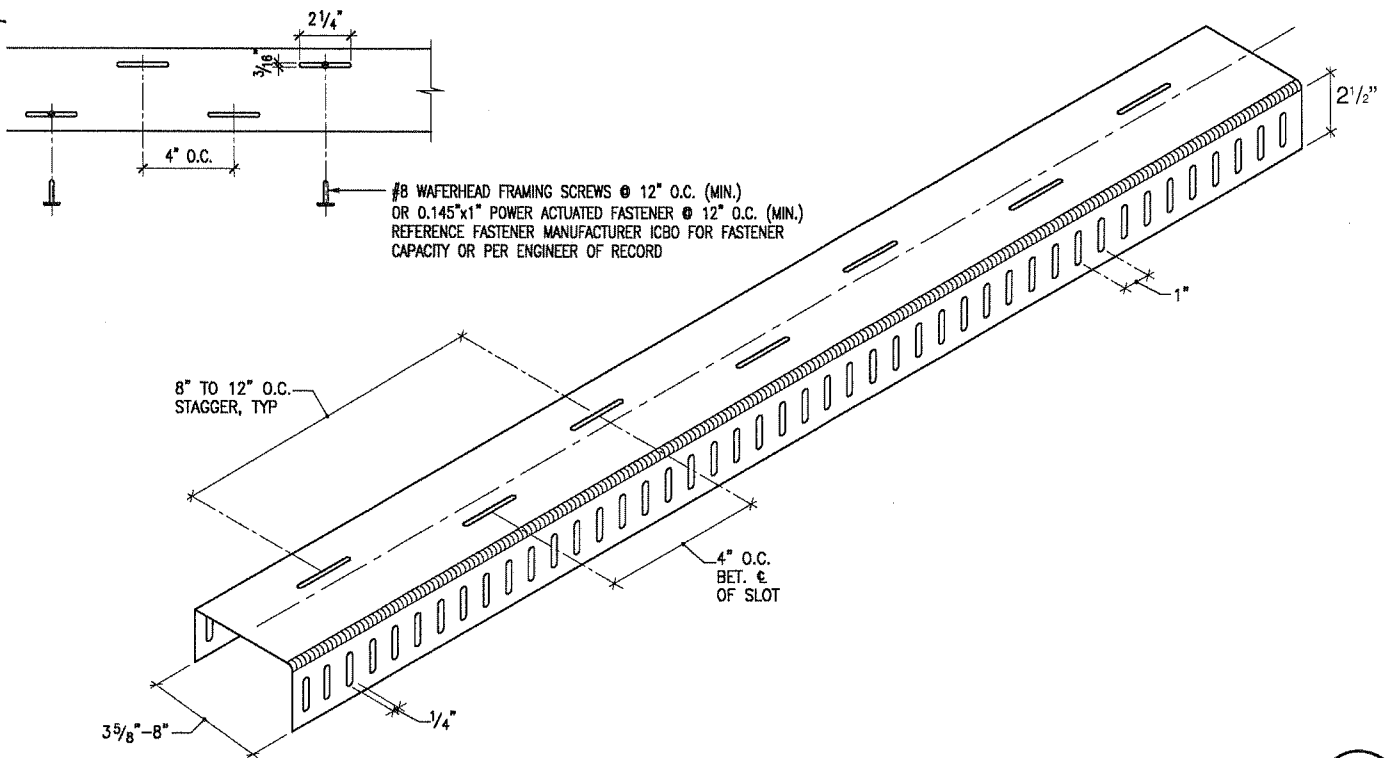
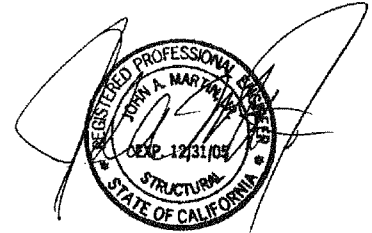
Assembly Components:

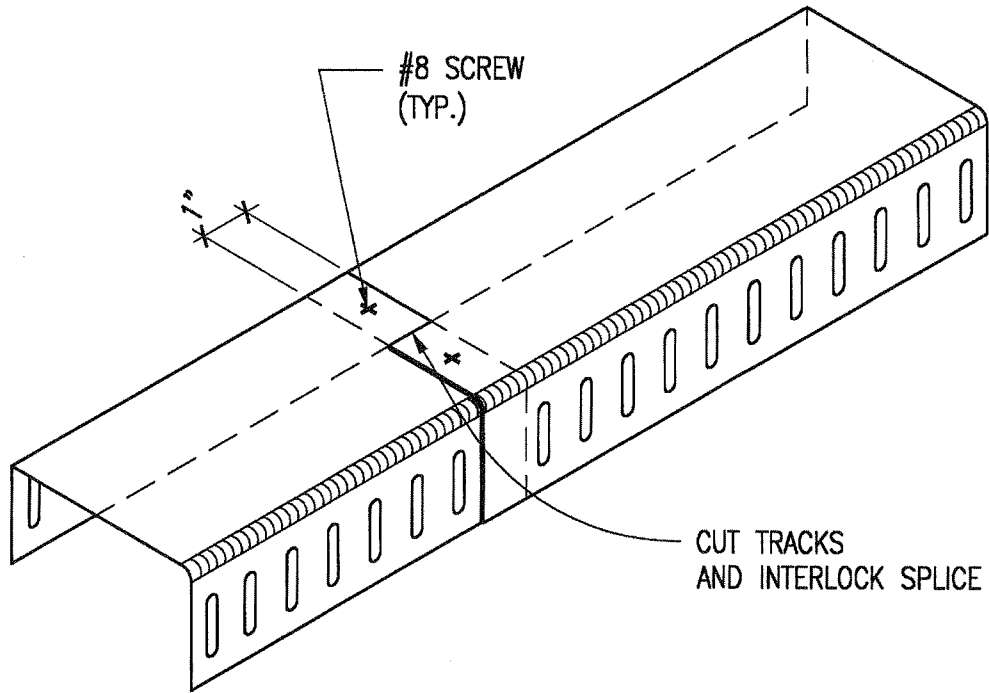
Head-of-wall Track:

- Manufacturer: SlipTrack Systems
- Model: SLP-TRK®
- Material: minimum 25 ga steel, slotted
- Width: to match steel stud

Notes:

- All connections to the structure shall be approved by the project engineer of record.





INTERLOCK SPLICE DETAIL

MTL TO MTL CONNECTION STANDARD





Project: _____ Architect: _____
Spec. Ref.: Section [09110] [09111] [05400] Date: _____

Sheet Title:

MTL to MTL Connection Standard Interlock Splice Detail.

Product: SLP-TRK®

Manufacturer: SlipTrack Systems

Description:

SLP-TRK Standard Detail
SLP-TRK® Brand Slotted Top Track.

Deflection - 1 inch

References:

- UL-2079 Cyclical Design
- ICBO ER-5344
- OSHPD R-0371-Fixed Equip. Anchorage
- LA City - No. RR25344
- NY City - MEA 285-01-M
- UL-R19236

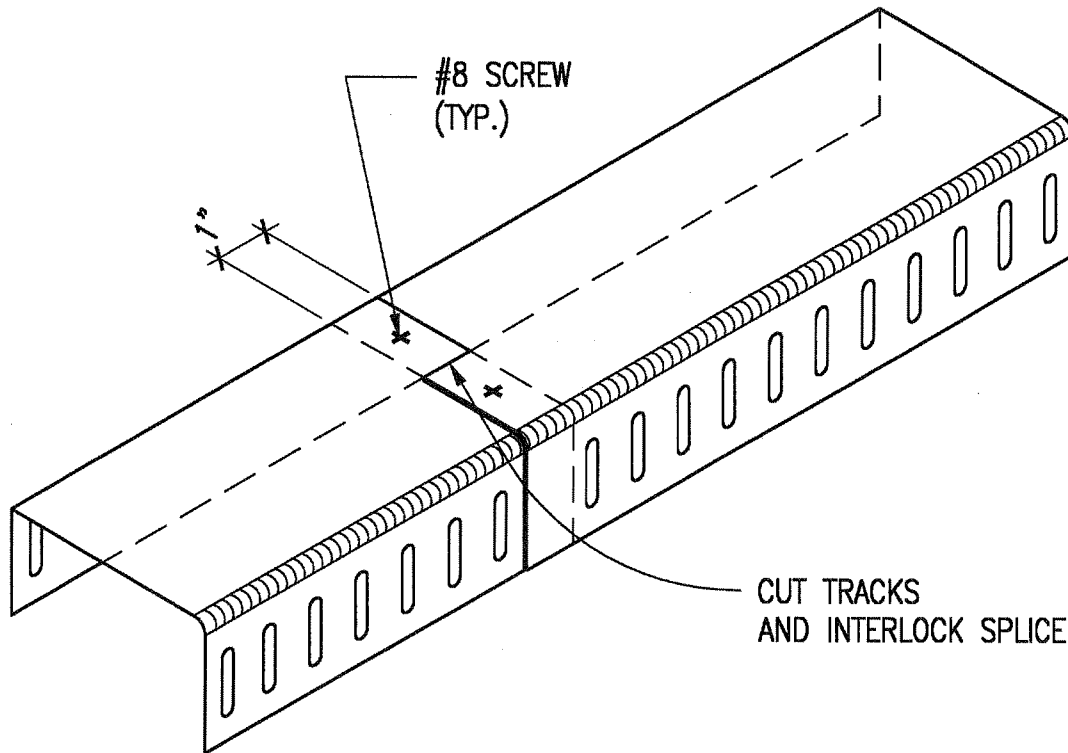
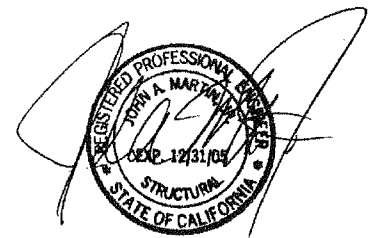
Assembly Components:

Head-of-wall Track:

- Manufacturer: SlipTrack Systems
- Model: SLP-TRK®
- Material: minimum 25 ga steel, slotted
- Width: to match steel stud

Notes:

- All connections to the structure shall be approved by the project engineer of record.



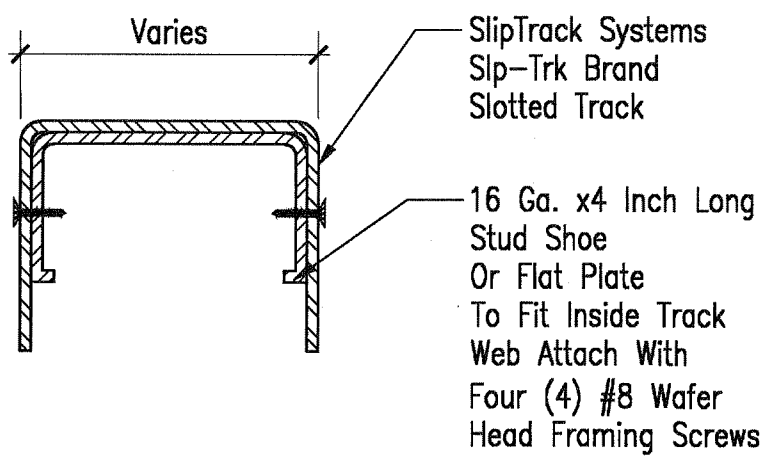
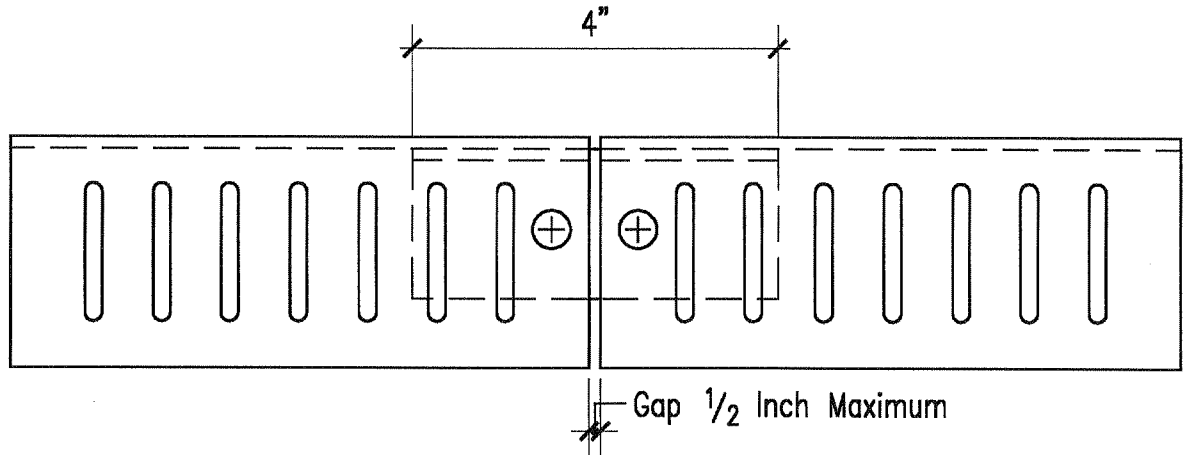
14



Trade-Friendly Products.

File Code - Date: 10/15/04

1-888-4SLPTRK [1-888-475-7875]
www.sliptrack.com



Splice Detail (Optional)
MTL TO MTL CONNECTION STANDARD

14A





Project: _____ Architect: _____
Spec. Ref.: Section [09110] [09111] [05400] Date: _____

Sheet Title:

MTL to MTL Connection Standard
Splice Detail - Optional

Product: SLP-TRK®

Manufacturer: SlipTrack Systems

Description:

SLP-TRK Standard Detail
SLP-TRK® Brand Slotted Top Track.

Deflection - 1 inch

References:

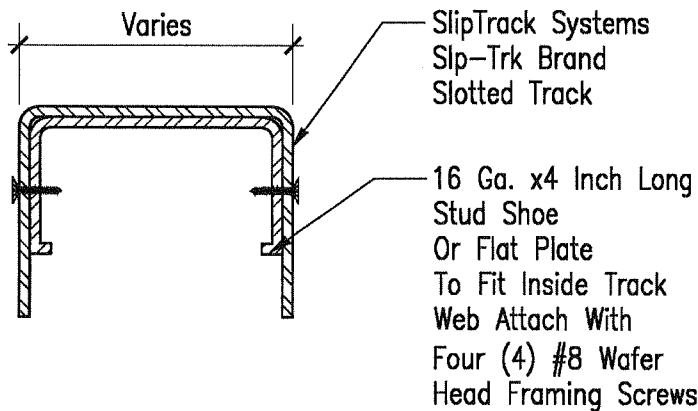
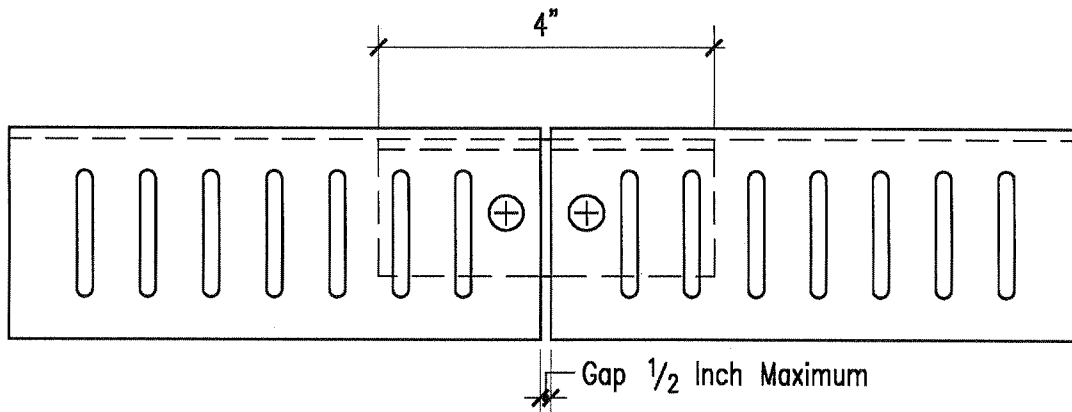
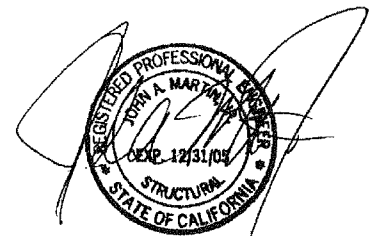
- UL-2079 Cyclical Design
- ICBO ER-5344
- OSHPD R-0371-Fixed Equip. Anchorage
- LA City - No. RR25344
- NY City - MEA 285-01-M
- UL-R19236

Assembly Components:**Head-of-wall Track:**

- Manufacturer: SlipTrack Systems
- Model: SLP-TRK®
- Material: minimum 25 ga steel, slotted
- Width: to match steel stud

Notes:

- All connections to the structure shall be approved by the project engineer of record.



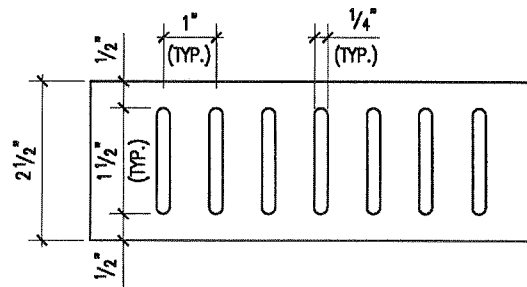
14A



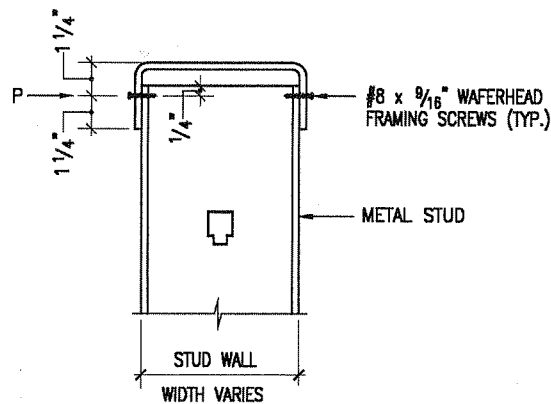
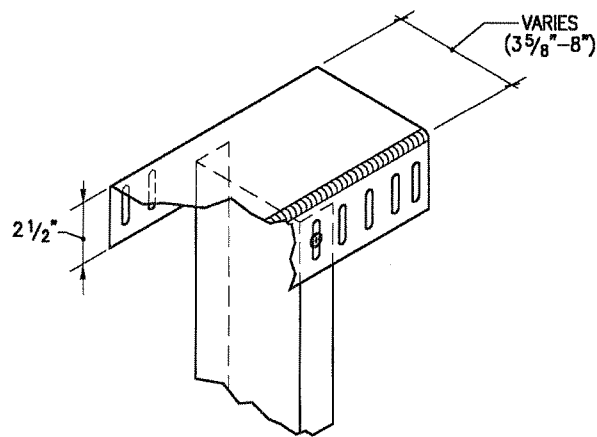
Trade-Friendly Products.

File Code - Date: 10/15/04

1-888-4SLPTRK [1-888-475-7875]
www.sliptrack.com



SIDE VIEW



HEAD OF WALL ISOMETRIC AND SECTION DETAIL (STANDARDS)
MTL TO MTL CONNECTION STANDARD

Figure 1— SLP-TRK Slotted Top Track – Stud to Track Connection





Project: _____ Architect: _____
 Spec. Ref.: Section [09110] [09111] [05400] Date: _____

Sheet Title:

MTL to MTL Connection Standard
 Head of Wall Isometric and Section
 Detail - Standards.

Product: SLP-TRK®**Manufacturer:** SlipTrack Systems**Description:**

SLP-TRK Standard Detail
 SLP-TRK® Brand Slotted Top Track.

Deflection - 1 inch**References:**

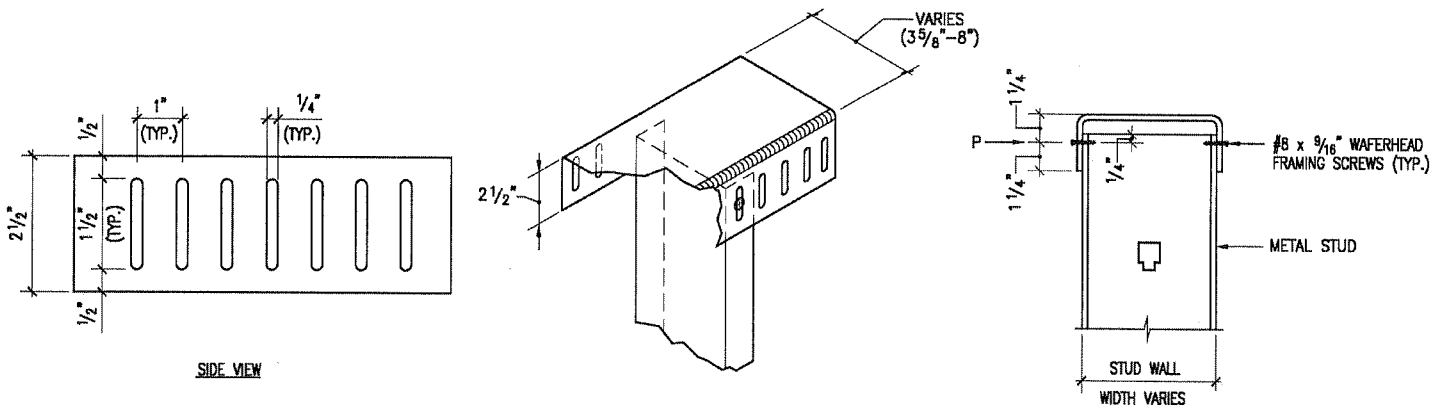
- UL-2079 Cyclical Design
- ICBO ER-5344
- OSHPD R-0371-Fixed Equip. Anchorage
- LA City - No. RR25344
- NY City - MEA 285-01-M
- UL-R19236

Assembly Components:**Head-of-wall Track:**

- Manufacturer: SlipTrack Systems
- Model: SLP-TRK®
- Material: minimum 25 ga steel, slotted
- Width: to match steel stud

Notes:

- All connections to the structure shall be approved by the project engineer of record.

**HEAD OF WALL ISOMETRIC AND SECTION DETAIL (STANDARDS)**

MTL TO MTL CONNECTION STANDARD

Figure 1— SLP—TRK Slotted Top Track — Stud to Track Connection



Trade-Friendly Products.

File Code - Date: 10/15/04

1-888-4SLPTRK [1-888-475-7875]

www.sliptrack.com