

PROJECT INFORMATION:

Project Name: _____
 City, State: _____

CONTACT INFORMATION:

Company Name: _____
 Contact Name: _____
 Phone: _____ Fax: _____

PROJECT DESIGN INFORMATION:

* Building Code & Year: IBC 2006 IBC 2003 ASCE 7-98 ASCE 7-02 Other: _____

* Basic wind speed: _____ mph

* Exposure Category: C D E

* Importance Factor: 1.0 1.15 Is building considered an essential facility? Y / N

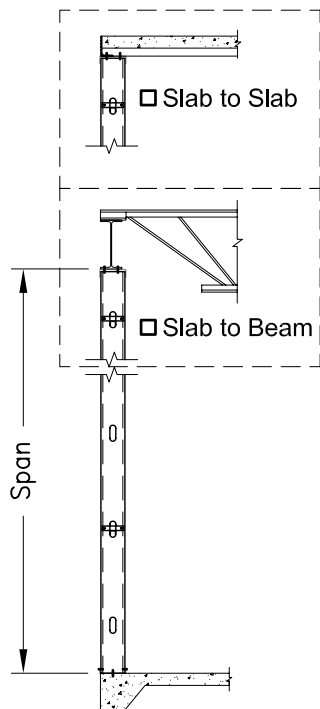
- Building Mean Roof Height (Average Building Height): _____

- Roof Slope: _____

- Wall Stud Spacing: 12"o.c. 16"o.c. 24"o.c.

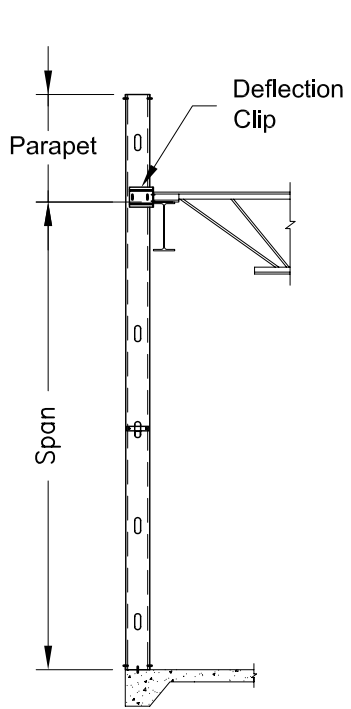
Deflection Guide:	
Brick	L/600
Stucco	L/360
E.I.F.S.	L/240

* This information may be found in the General Notes section of the Structural Drawings.



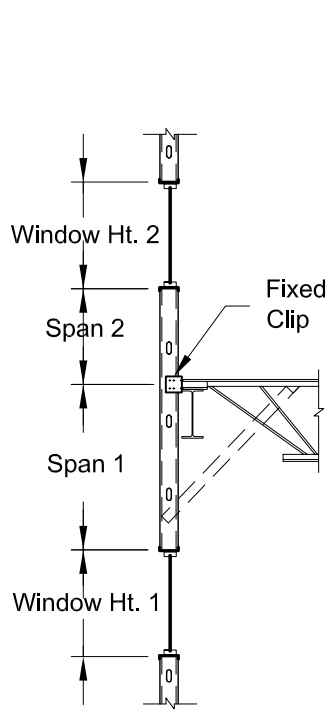
Simple Span

- Span: _____
 - Deflection: L/ _____
 - Stud Depth: _____



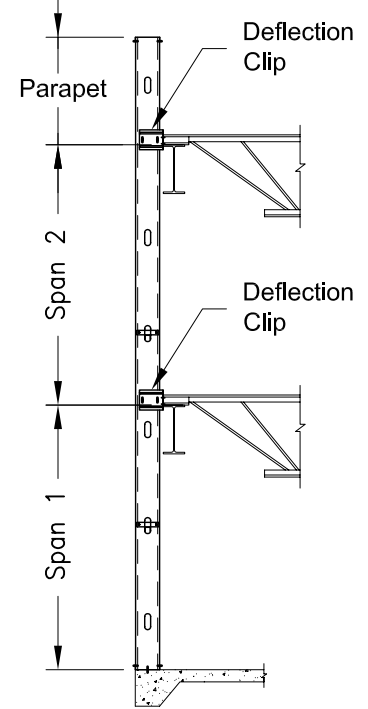
Parapet Framing

- Span: _____
 - Parapet: _____
 - Deflection: L/ _____
 - Stud Depth: _____



Spandrel Framing

(Headers/Kicker will NOT be designed)
 - Span 1: _____ 2: _____
 - Win. Ht. 1: _____ 2: _____
 - Deflection: L/ _____
 - Stud Depth: _____



By-pass Framing

- Span 1: _____
 - Span 2: _____
 - Parapet: _____
 - Deflection: L/ _____
 - Stud Depth: _____

FOR CLARKWESTERN DESIGN ONLY:

- Wall Stud Size: _____ (ksi) @ _____ "o.c.
 - Lateral Bracing: _____

ClarkWestern™
 Building Systems

Design Services

20 Mansell Court East, Ste 350B | 6510 General Drive | 383 U.S. Route One, Ste 2E
 Roswell, GA 30076 | Riverside, Ca. 92509 | Scarborough, ME 04074
 toll free 877.832.3206 fax 877.832.3208

Curtain Wall
 SIZING SHEET

FAX TO:
(678) 990-3542

TECH HOTLINE:
(888) 437-3244