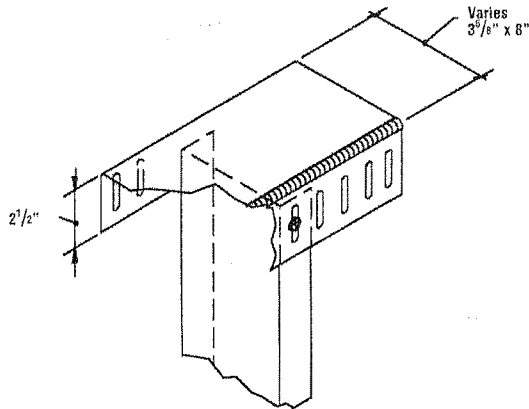




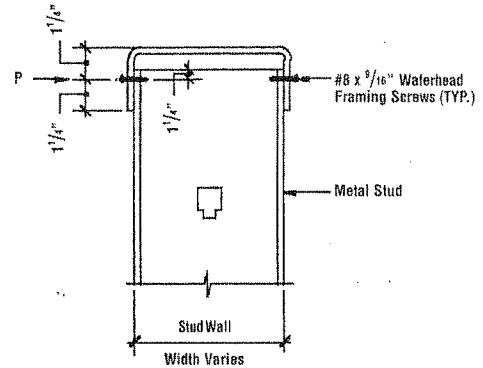
PARTITION DEFLECTION SYSTEM-FIXED EQUIPMENT ANCHORAGE

SLP-TRK® Slotted Top Track



Isometric View of Vertical Slotted Sliptrack

Single Track Deflection System



Slotted Top Track System

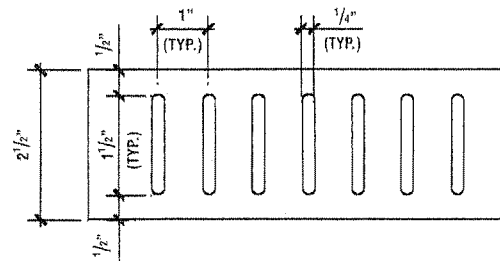
HEAD OF WALL ISOMETRIC AND SECTION DETAIL (STANDARDS)
ICBO ESER 5344

Notes:

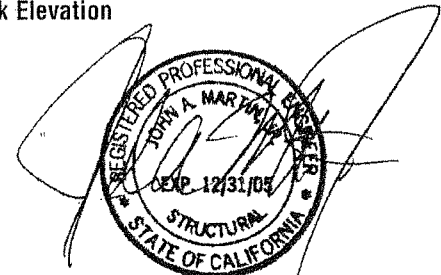
1. Fire-rated assemblies shall comply to UL 2079 Test Standard
2. Load data based on Twining Laboratories Load Test #95-9080 / 9/11/1995
3. Sliptrack Systems Slotted Track – SLP-TRK®
4. Track is 14, 16, 18 & 20 Gauge
5. $F_y = 50$ ksi for 14 and 16 gauge members
 $F_y = 30$ ksi for 18 and 20 gauge members
6. SLP-TRK® Single Track Systems: A second top track is not required
7. The connection of the track to the structure is a minimum standard. The engineer of record for a site-specific project is responsible for the design of the connection to the structure.
8. Minimum 1/2" space requirement for deflection
9. Partition studs at 12", 16", or 24" o/c typically. Studs attached to tracks with #8 x 9/16 wafer head screws
10. For larger details or CAD downloads visit www.BradyInnovations.com
11. One and Two hour fire rated designs are tested perpendicular to the fluted deck per UL-2079 test standard. For various fire-rated installation conditions, reference www.bradyinnovations.com and obtain site specific approval from the Project Architect and Building Official having jurisdiction. Submit data and installation details via the project submittal process prior to field installations.

"P" is the maximum horizontal force allowed at the top of the stud for all cases. Please note that the seismic load for the weight of the wall itself and equipment attached to the wall is not required to be additive with 5 psf interior partition wall lateral load (they are separate load cases).

20 Gauge SLP-TRK® P = 166 lbs.	16 Gauge SLP-TRK® P = 314 lbs.
18 Gauge SLP-TRK® P = 196 lbs.	14 Gauge SLP-TRK® P = 314+ lbs.



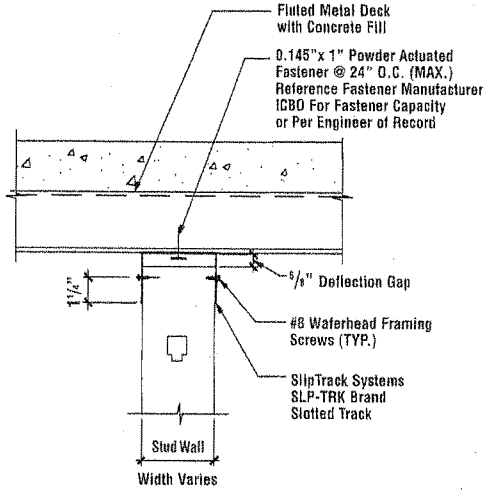
Enlarged Track Elevation



Another trade-friendly product from



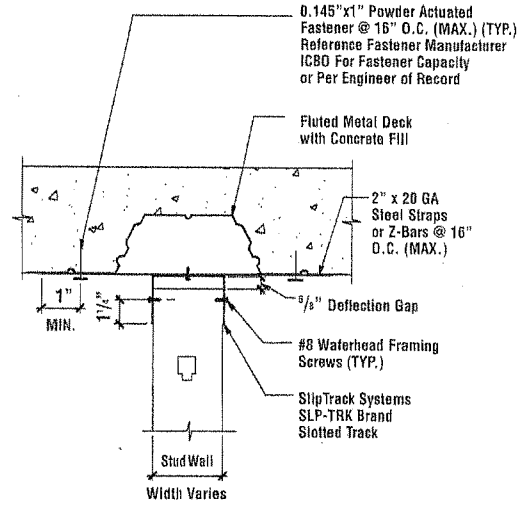
BRADY CONSTRUCTION INNOVATIONS, INC.



Head of Wall Perpendicular to Flute

MTL. to MTL. Conn.

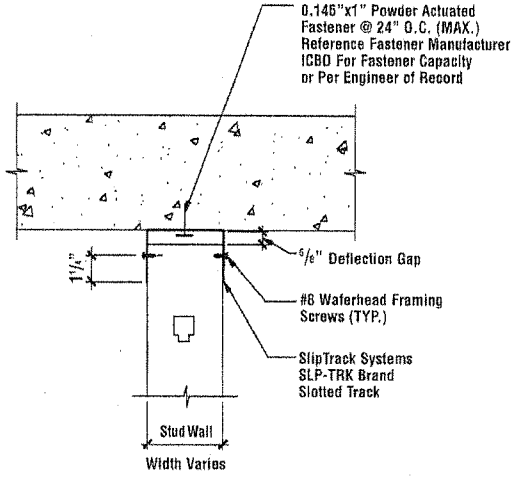
1



Head of Wall Parallel to Flute

MTL. to MTL. Conn.

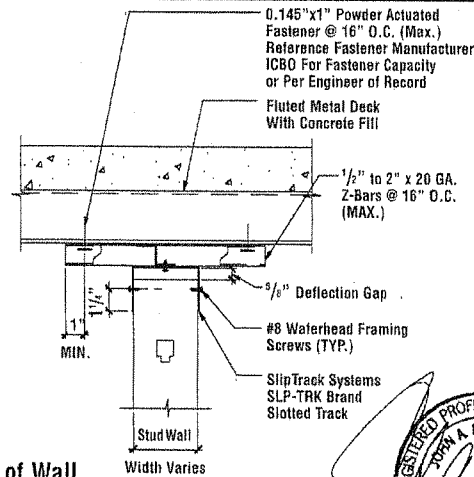
2



Head of Wall at Concrete

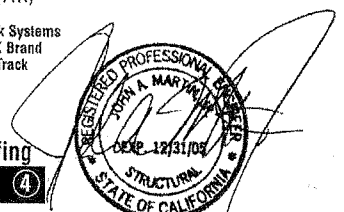
MTL. to MTL. Conn.

3

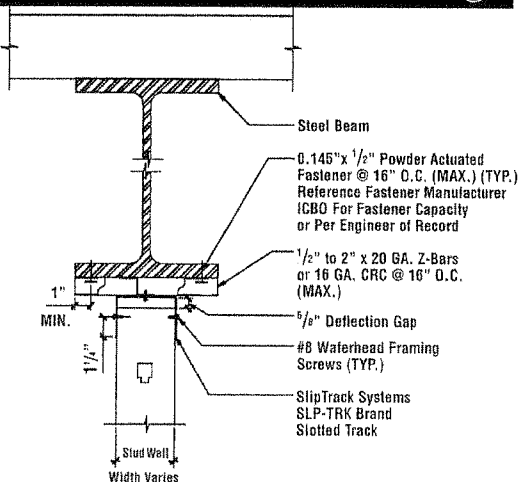


Head of Wall Z-Bar to Accommodate Deck Fireproofing

MTL. to MTL. Conn.



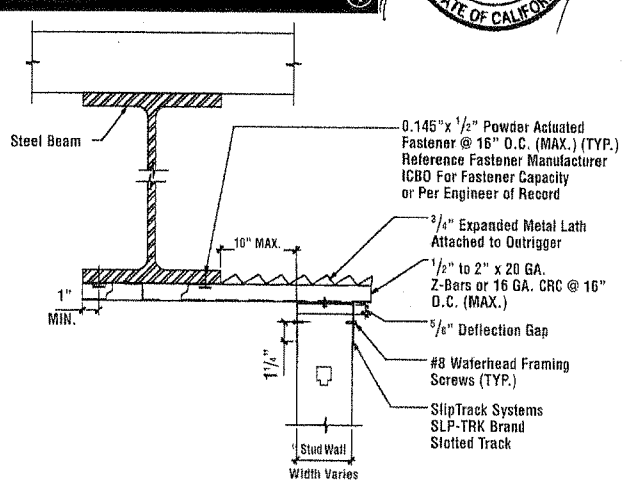
4



Head of Wall under Steel Beam Z-Bar to Accommodate Beam Fireproofing

MTL. to MTL. Conn.

5



Head of Wall offset from Steel Beam Z-Bar to Accommodate Beam Fireproofing

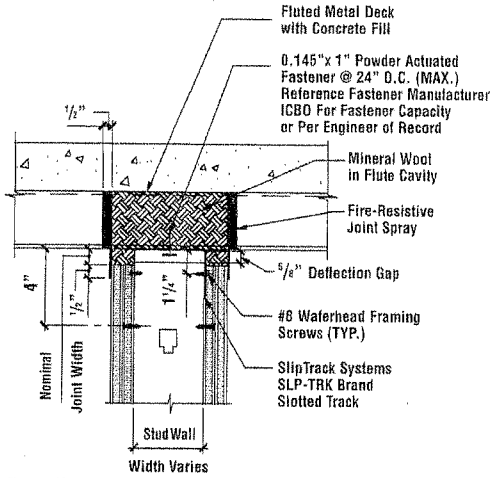
MTL. to MTL. Conn.

6

Another trade-friendly product from



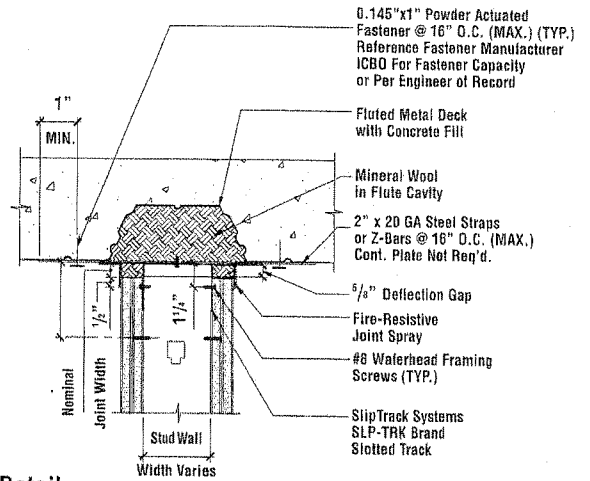
BRADY CONSTRUCTION INNOVATIONS, INC.



Standard Detail Head of Wall Perpendicular to Flute

System 7-19 Fire Rated Design

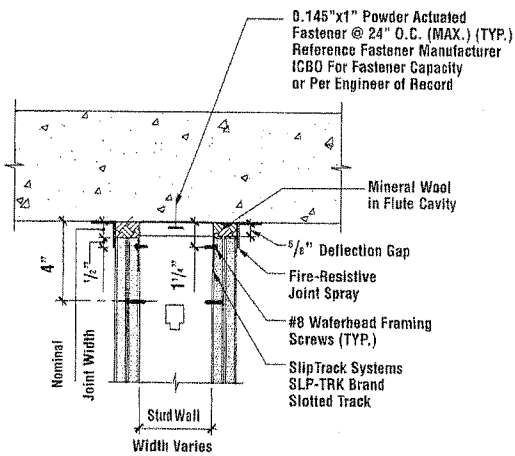
①



Standard Detail Head of Wall Parallel to Flute

System 7-19 Fire Rated Design

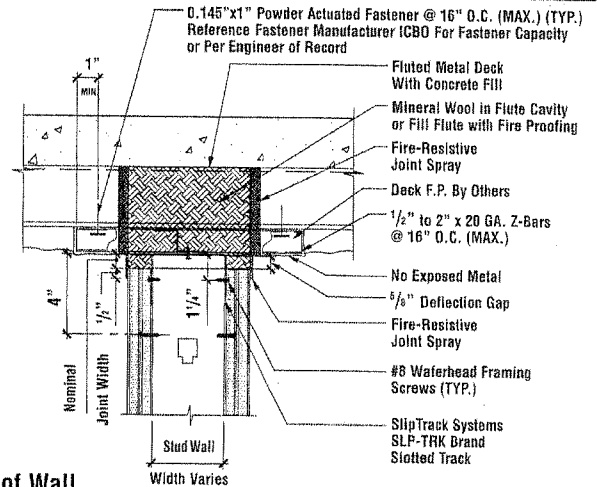
②



Standard Detail Head of Wall at Concrete

System 7-19 Fire Rated Design

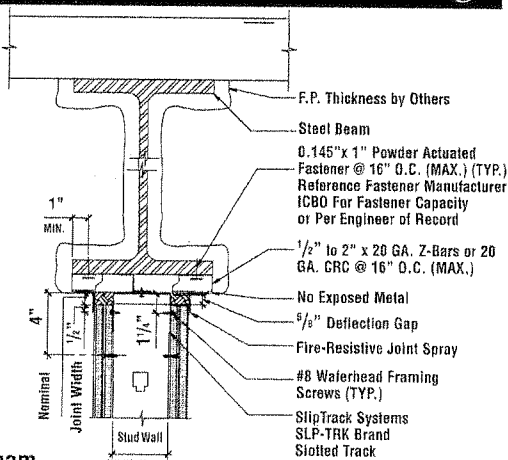
③



Head of Wall Z-Bar Offset to Accommodate Deck Fireproofing

System 7-19 Fire Rated Design

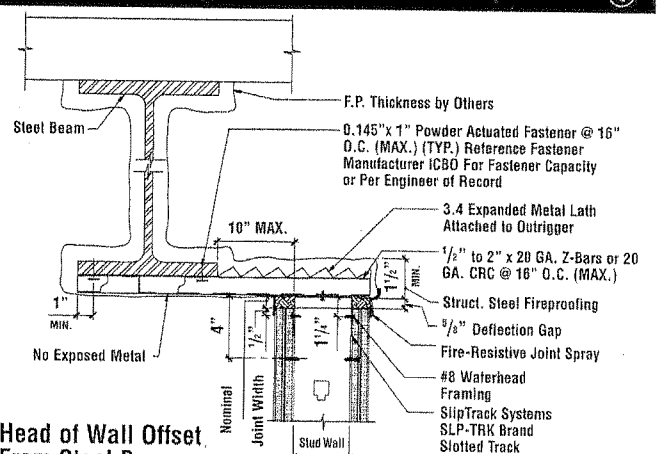
④



Head of Wall Under Steel Beam Z-Bar Offset to Accommodate Beam Fireproofing

System 7-19 Fire Rated Design

⑤



Head of Wall Offset From Steel Beam Z-Bar to Accommodate Beam Fireproofing

System 7-19 Fire Rated Design

⑥

Another trade-friendly product from



BRADY CONSTRUCTION INNOVATIONS, INC.

Sliptrack Systems ~ Fire-Rated Assemblies



ICBO Approved Systems ~ Tested and Listed with Intertek Testing Laboratories
ICBO ER-5344 ~ 1 and 2-Hour Designs ~ UL-2079
 Test Standard Compliant

UL Approved Systems ~ Listing Partner and Design Number
UL Control 96GM ~ 1 and 2-Hour Designs ~ UL-2079 Test Standard Compliant

System 1 - 6	System 1 - W.R. Grace	System 2 - W.R. Grace	System 3 - Isolatak	System 4 - Isolatak	System 5 - Isolatak	System 6 - W.R. Grace
WHI-495-PSV-1201	WHI-495-PSV-1201	WHI-495-PSV-1333	WHI-495-PSV-1333	WHI-495-PSV-1334	WHI-495-PSV-1333	WHI-495-PSV-1338
System 7 - STI	UL-HW-D-0003	UL-HW-D-0034	UL-HW-D-0043	UL-HW-D-0044	UL-HW-D-0054	UL-HW-D-0079
	UL-HW-D-0088	UL-HW-D-0099	UL-HW-D-0102	UL-HW-D-0136	UL-HW-D-0137	UL-HW-D-0152
	UL-HW-D-0153	UL-HW-D-0194*	UL-HW-D-0210	UL-HW-D-0241	UL-HW-D-0242	UL-HW-D-0243
	UL-HW-D-0260	UL-HW-D-0363	UL-HW-D-0365	UL-HW-D-0371		
System 8 - FFPF	UL-HW-D-0024	UL-HW-D-0025	UL-HW-D-0036	UL-HW-D-0062	UL-HW-D-0063	UL-HW-D-0071
	UL-HW-D-0072	UL-HW-D-0073	UL-HW-D-0162	UL-HW-D-0185	UL-HW-D-0191*	UL-HW-D-0271
	UL-HW-D-0272	UL-HW-D-0263	UL-HW-D-0278			
System 9 - 3M	UL-HW-D-0020	UL-HW-D-0021	UL-HW-D-0029	UL-HW-D-0031	UL-HW-D-0101	UL-HW-D-0111
	UL-HW-D-0134	UL-HW-D-0170	UL-HW-D-0173	UL-HW-D-0205	UL-HW-D-0265	
System 10 - HILTI	UL-HW-D-0042	UL-HW-D-0045	UL-HW-D-0046	UL-HW-D-0049	UL-HW-D-0076	UL-HW-D-0077
	UL-HW-D-0082	UL-HW-D-0083	UL-HW-D-0084	UL-HW-D-0085	UL-HW-D-0087	UL-HW-D-0089
	UL-HW-D-0106	UL-HW-D-0154	UL-HW-D-0184	UL-HW-D-0190	UL-HW-D-0218	UL-HW-D-0259
	UL-HW-D-0313	UL-HW-D-0321	UL-HW-D-0322	UL-HW-D-0324		
System 11 - Johns-Manville	UL-HW-D-0047	UL-HW-D-0048	UL-HW-D-0067	UL-HW-D-0068	UL-HW-D-0069	UL-HW-D-0167
	UL-HW-D-0186	UL-HW-D-0193	UL-HW-D-0195	UL-HW-D-0275	UL-HW-D-0277	
System 12 - Rectorseal	UL-HW-D-0032	UL-HW-D-0033	UL-HW-D-0058	UL-HW-D-0059	UL-HW-D-0104	UL-HW-D-0105
	UL-HW-D-0127	UL-HW-D-0128	UL-HW-D-0129	UL-HW-D-0130	UL-HW-D-0179	UL-HW-D-0180
	UL-HW-D-0221	UL-HW-D-0222	UL-HW-D-0297	UL-HW-D-0298		
System 13 - GRACE-Flamesafe	UL-HW-D-0107	UL-HW-D-0108	UL-HW-D-0124	UL-HW-D-0144	UL-HW-D-0146	UL-HW-D-0147
	UL-HW-D-0148	UL-HW-D-0165	UL-HW-D-0213	UL-HW-D-0217	UL-HW-D-0219	UL-HW-D-0257*
	UL-HW-D-0299					
System 14 - EGS-Nelson	UL-HW-D-0223	UL-HW-D-0224	UL-HW-D-0227	UL-HW-D-0228	UL-HW-D-0238	UL-HW-D-0239
	UL-HW-D-0283	UL-HW-D-0288	UL-HW-D-0304	UL-HW-D-0305	UL-HW-D-0309	UL-HW-D-0310
System 15 - Tremco	UL-HW-D-0016	UL-HW-D-0091	UL-HW-D-0255	UL-HW-D-0256	UL-HW-D-0291	
System 16 - John Wagner Assoc.	UL-HW-D-0353	UL-HW-D-0356	UL-HW-D-0357	UL-HW-D-0358	UL-HW-D-0368	UL-HW-D-0370
System 17 - A/D Fire-Protection System	UL-HW-D-0247	UL-HW-D-0249	UL-HW-D-0314	UL-HW-D-0315	UL-HW-D-0316	UL-HW-D-0317
	UL-HW-D-0320					
System 18 - OSI Sealants Inc.	UL-HW-D-0183	UL-HW-D-0341				
System 19 - USG				UL-HW-D-0160		

* Equals Shaftwall System

ICBO ER-5344 - Table 2

SLP-TRK TOP TRACK	MAXIMUM HEIGHT OF WALL IN FEET						ALLOWABLE LATERAL LOAD (pounds)
	Stud Spacing on Center						
	12 inches	16 inches	24 inches	12 inches	16 inches	24 inches	
Gage	Uniform Lateral Load						
	5 psf			10 psf			
25 ga.	13.2	9.9		-	-	-	33
20 ga.	55.2	41.4	27.6	27.6	20.7	13.8	138
18 ga.	65.2	48.9	32.6	32.6	24.5	16.3	163
16 ga.	123.2	92.4	61.6	61.6	46.2	30.8	308

Technical Engineering Services available:
 See distribution map for technical support information. For complete submittal packages contact Sliptrack Systems at 888-4SLPTRK or visit us online.

Product Specification: Standard Sizes and Gauges
 2 1/2" - 3 3/8" - 4" - 6" - 8" in 10 foot lengths
 25 gauge, 20 gauge, 18 gauge, 16 gauge, 14 gauge

Trade-friendly products from
BRADY CONSTRUCTION INNOVATIONS, INC.