

Backer Bar

Provides superior connection shear and pullout strength for handrails, shelves and other wall fixtures

The Backer Bar was specifically designed to meet the demand for the attachment of multiple items and heavier items to interior partitions.

Today's building professionals require solutions to allow the attachment of such products and accessories to the interior partition walls. Traditionally, backing systems have been costly, time-consuming and not necessarily performing to the required code specified load requirements. Backer Bar is designed for use on non-structural and structural studs.

TYPICAL APPLICATIONS:

- Wall-Mounted Televisions
- Hospital Handrails
- Towel and Shower Bars
- Cabinets and Shelves

FEATURES AND BENEFITS:

- Installs quickly and easily
- Available in 12", 16" and 24" spacing
- For use on non-structural and structural studs

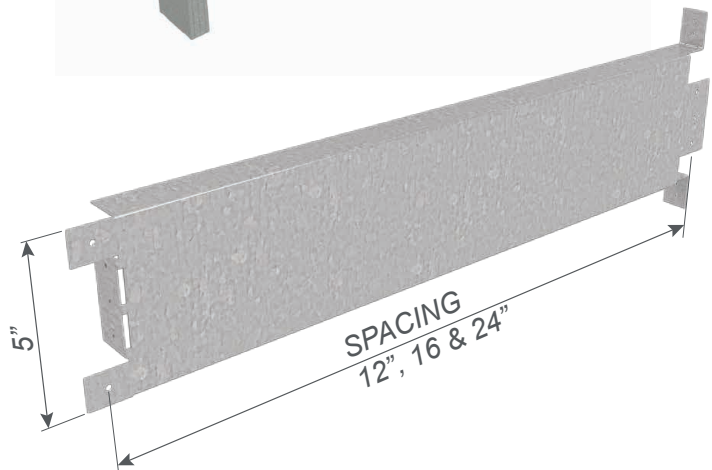
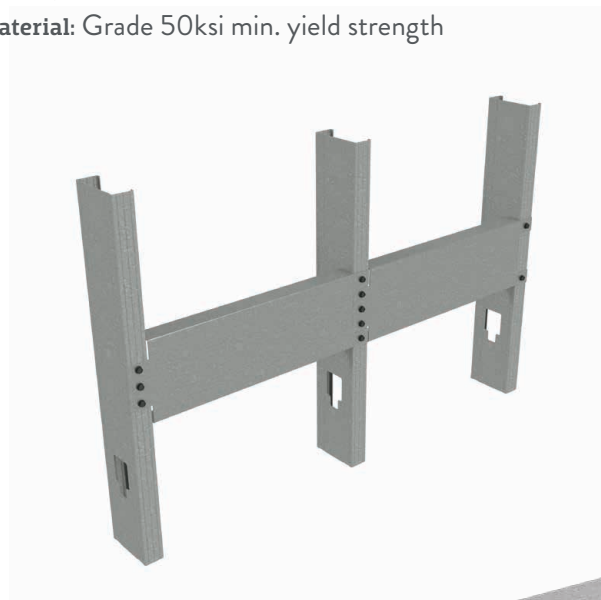
Canada Patent Pending – 2,811,362
 USA Patent – 9,062,455

PRODUCT DIMENSIONS

Leg: 1-1/4"
 Width: 5"
 Lengths: For 12", 16" and 24" o.c. stud spacing

MATERIAL SPECIFICATIONS

Gauge: 20 gauge STR (33mils)
 Design Thickness: 0.0346 inches
 Coating: G90
 Material: Grade 50ksi min. yield strength



Backer Bar (BB12, BB16, BB24)

Product code	Thickness		Size (in)	Packaging
	Mils (Gauge)	Design thickness (in)		
BB12	33mils (20ga)	0.0346	1-1/4" x 5" x 12"	Individual
BB16	33mils (20ga)	0.0346	1-1/4" x 5" x 16"	
BB24	33mils (20ga)	0.0346	1-1/4" x 5" x 24"	